






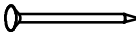
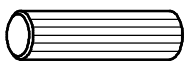

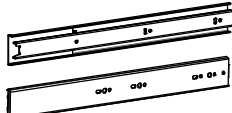
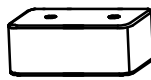
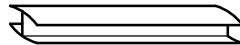

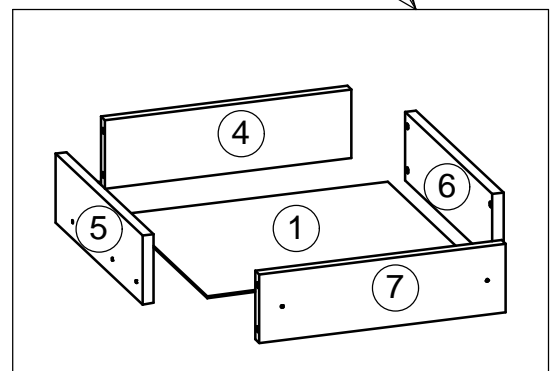
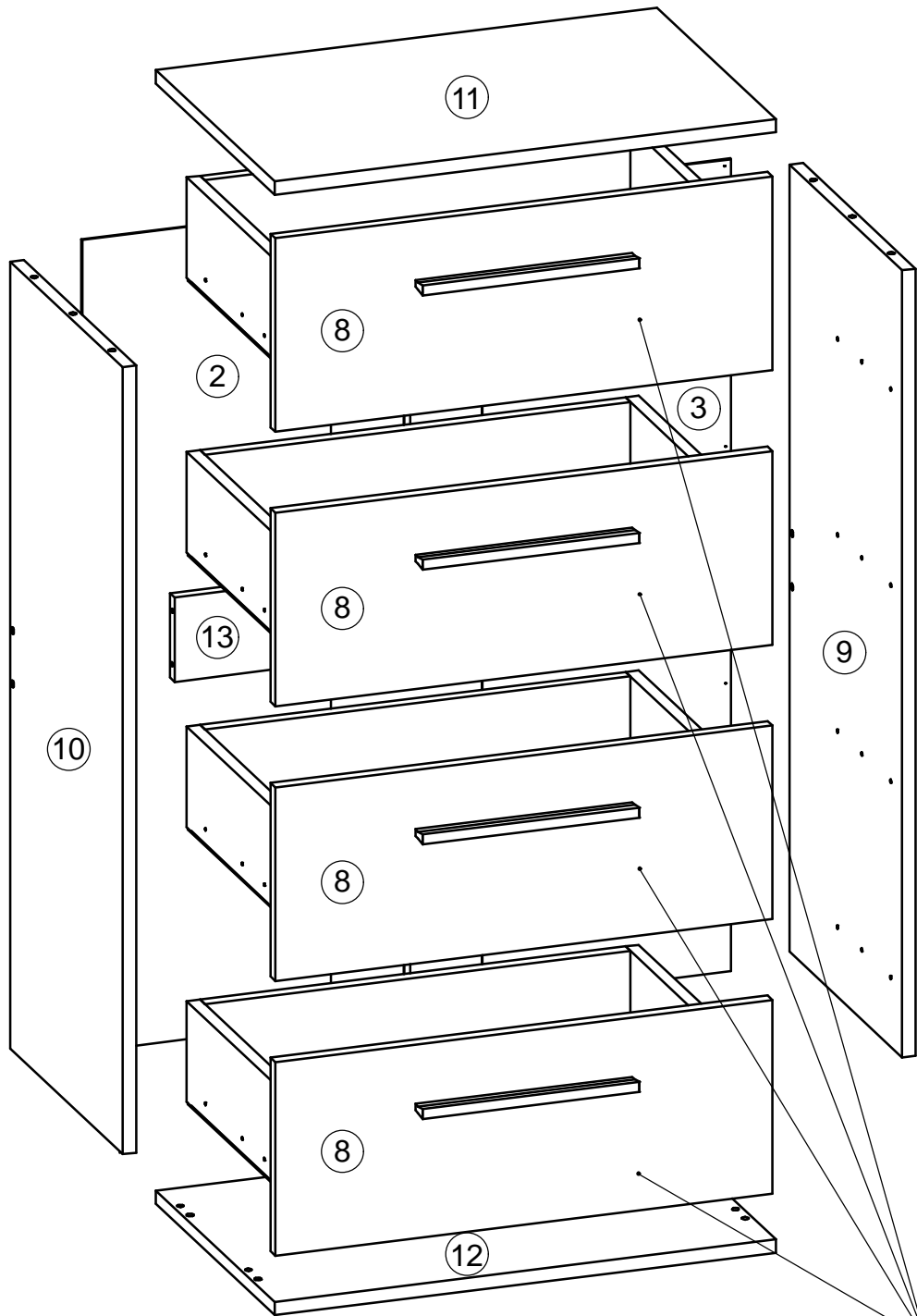
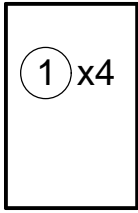
 Ø6,3x50 mm A1 x 8	 Ø12 mm A2 x 8	 4 mm A3 x 1	 Ø12x3 mm C x 3	 Ø4x16 mm D1 x 51
 Ø4x25 mm D2 x 8	 Ø4x30 mm D3 x 8	 Ø4x30 mm D4 x 8	 Ø1,6x20 mm F x 112	 Ø8x36 mm G x 50
 H x 4	 K x 4	 N x 4	 O x 2	 50g R x 1

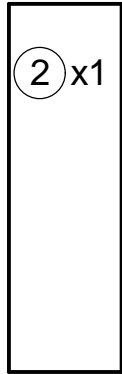


Box 1

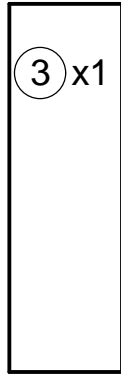
348x540x3 mm



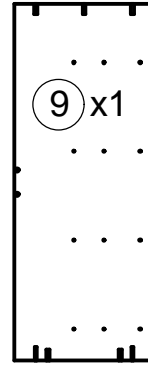
298x973x3 mm



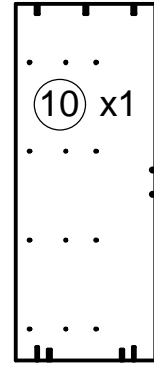
298x973x3 mm



370x943x16 mm

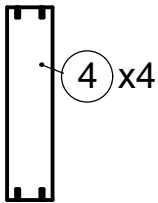


370x943x16 mm

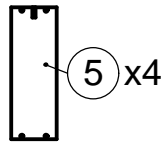


Fittings & Tools

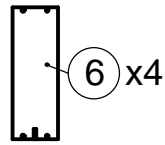
120x510x16 mm



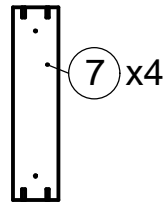
120x350x16 mm



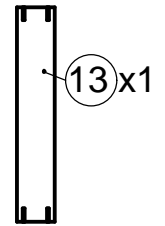
120x350x16 mm



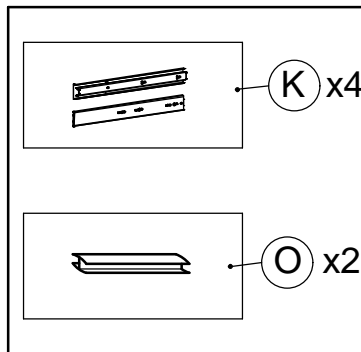
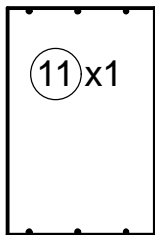
120x510x16 mm



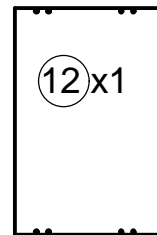
100x568x16 mm



390x600x16 mm

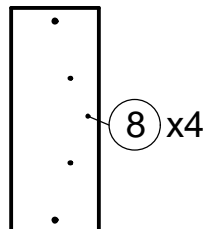


390x600x16 mm



Box 2

231x595x16 mm



1



A1 x 4



A2 x 4



A3 x 1



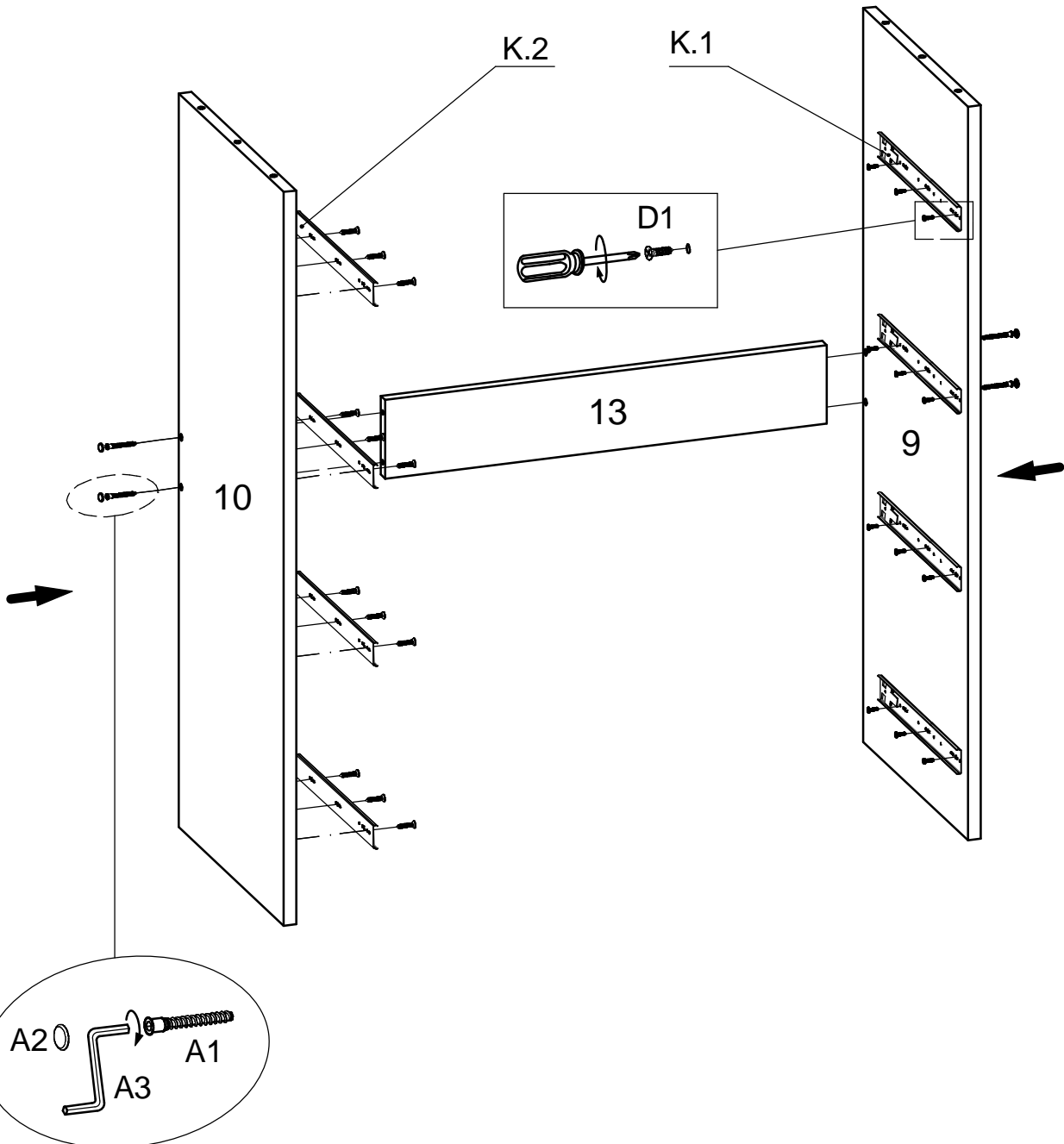
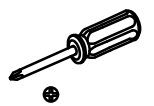
D1 x 24



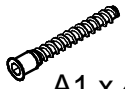
K.1 x 4



K.2 x 4



2



A1 x 4



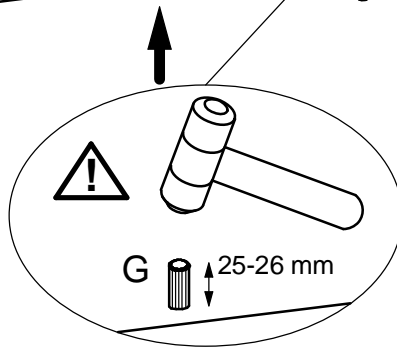
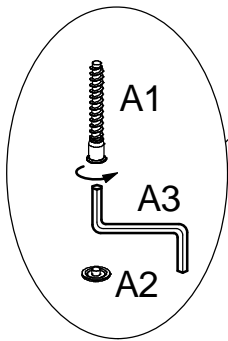
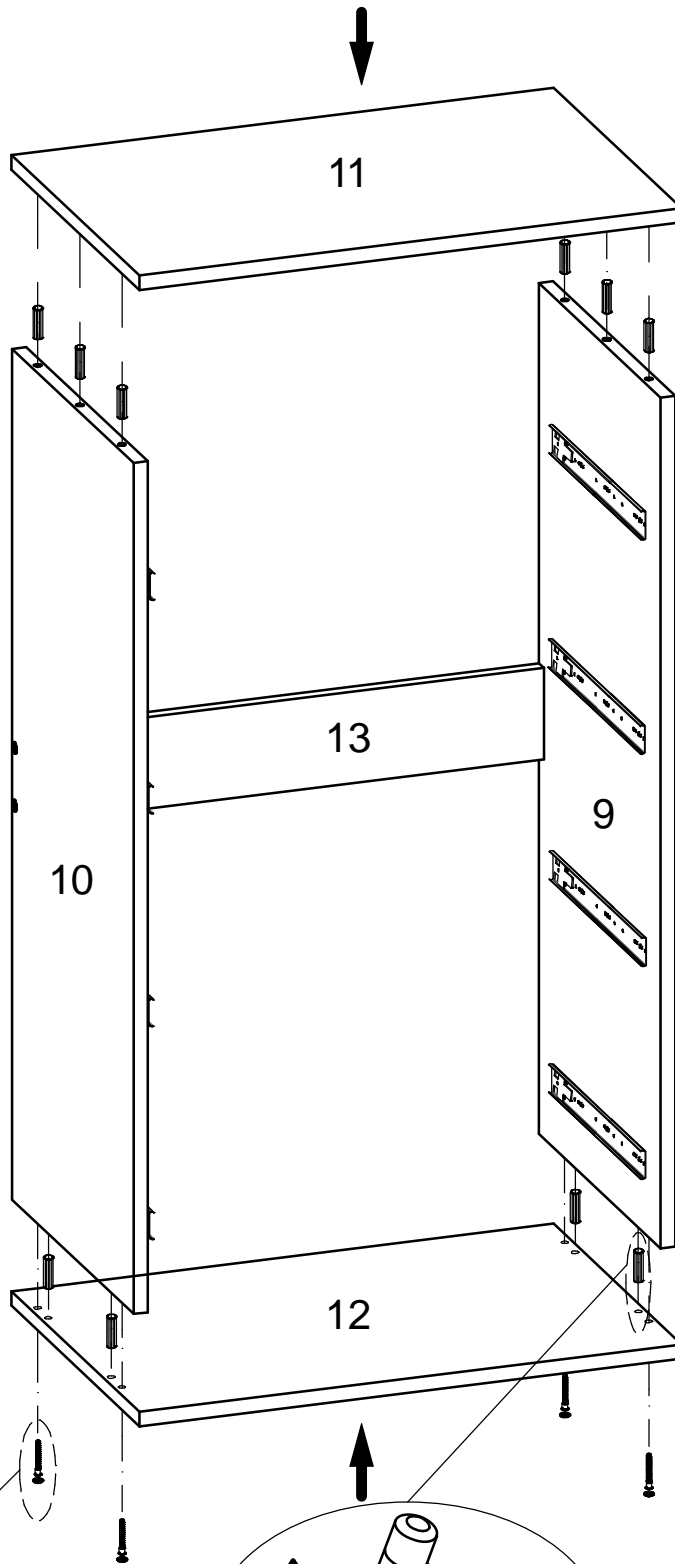
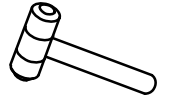
A2 x 4



A3 x 1



G x 10



3



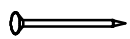
C x 3



D1 x 3



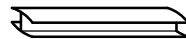
D2 x 8



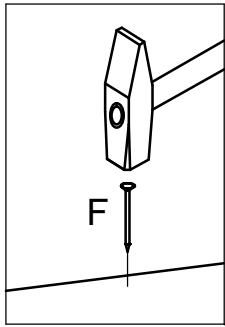
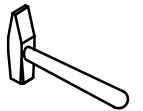
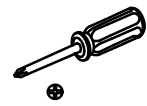
F x 32



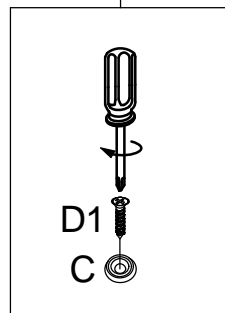
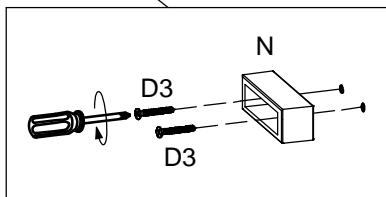
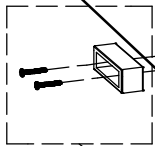
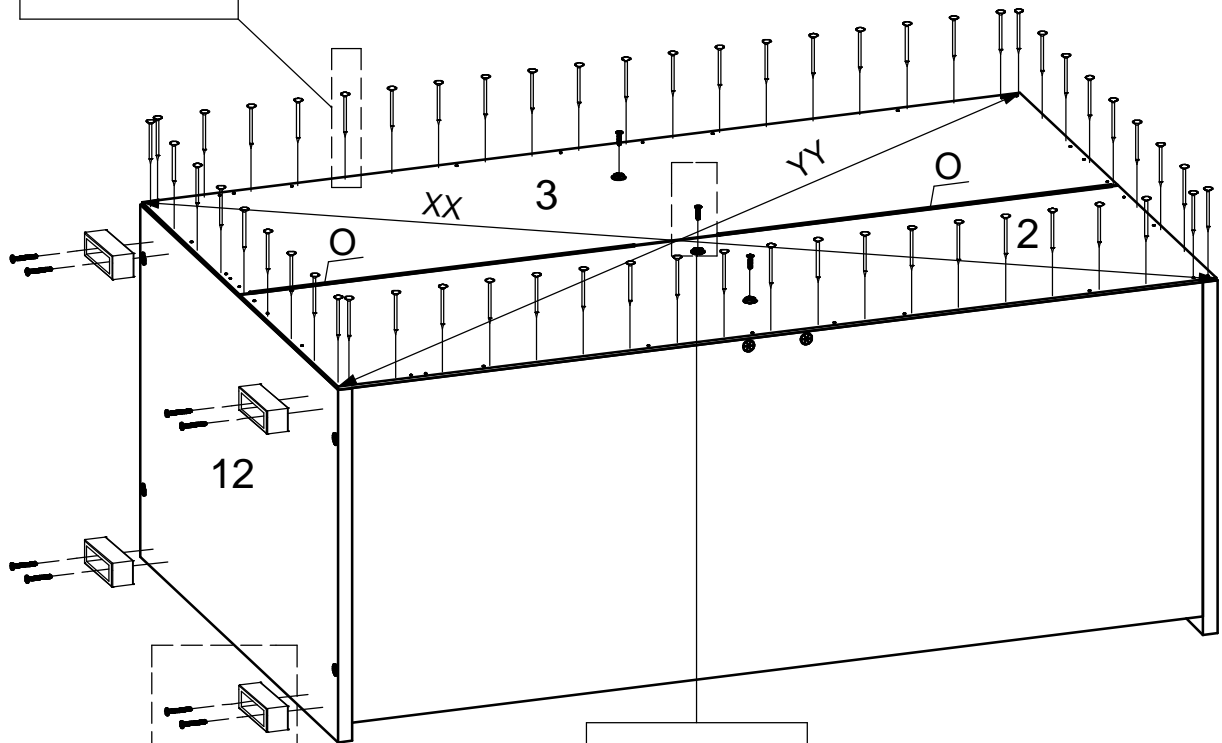
N x 4



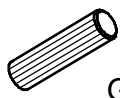
O x 2



⚠ XX=YY≅90°



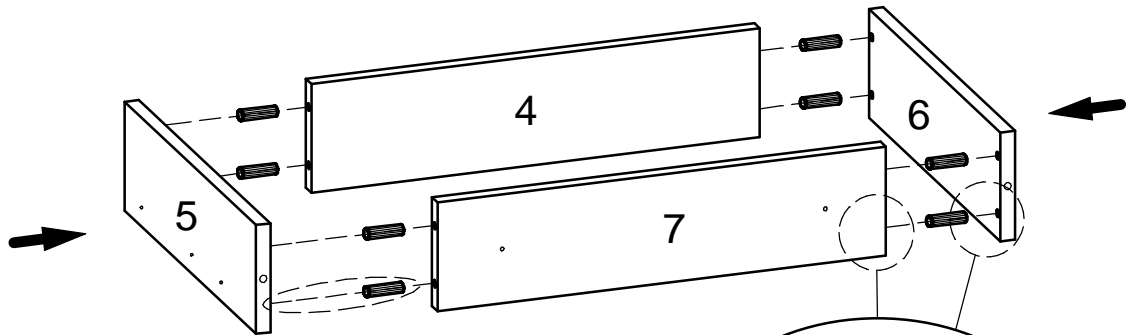
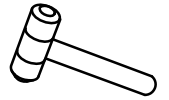
4



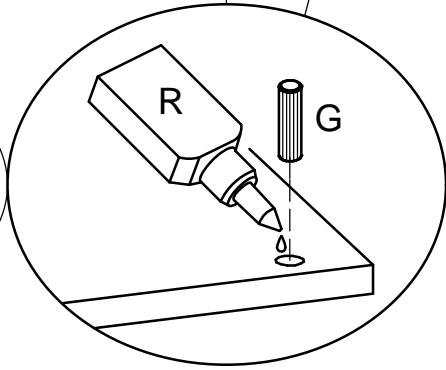
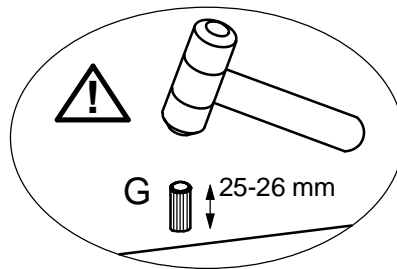
G x 32



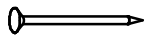
R x 1



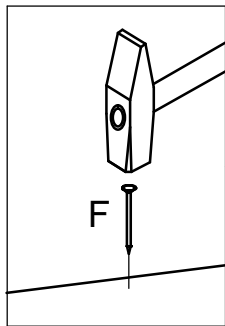
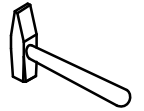
x 4



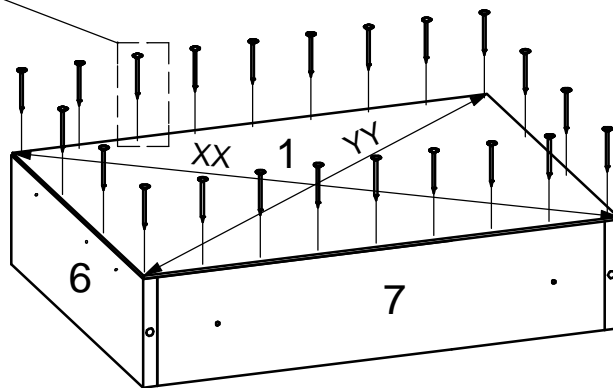
5



F x 80



! $XX=YY \cong 90^\circ$



x 4

6



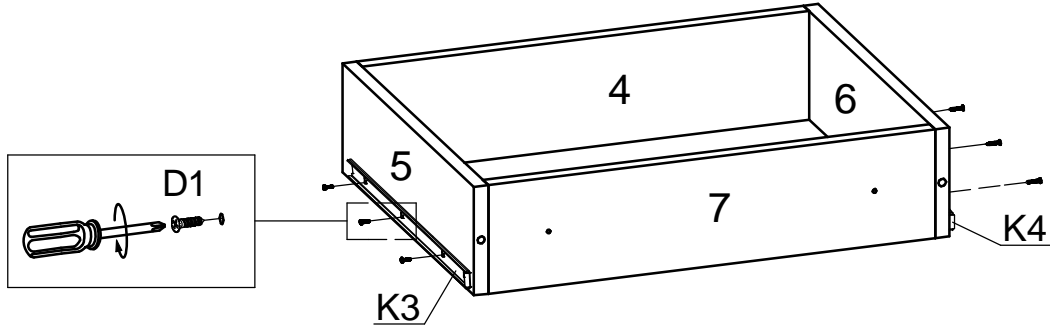
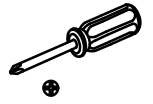
D1 x 24



K.3 x 4

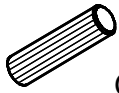


K.4 x 4

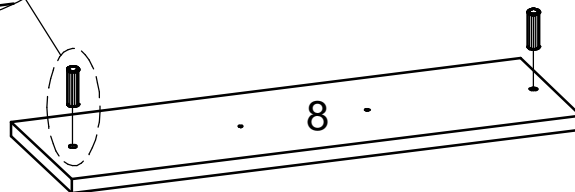
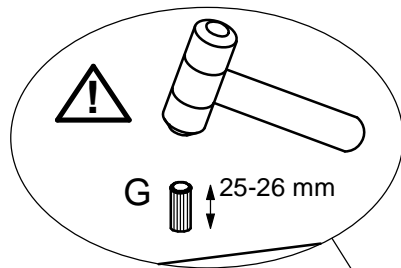
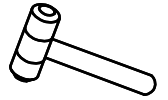


x 4

7



G x 8



x 4

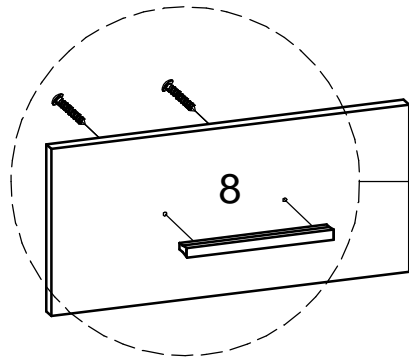
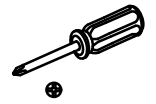
8



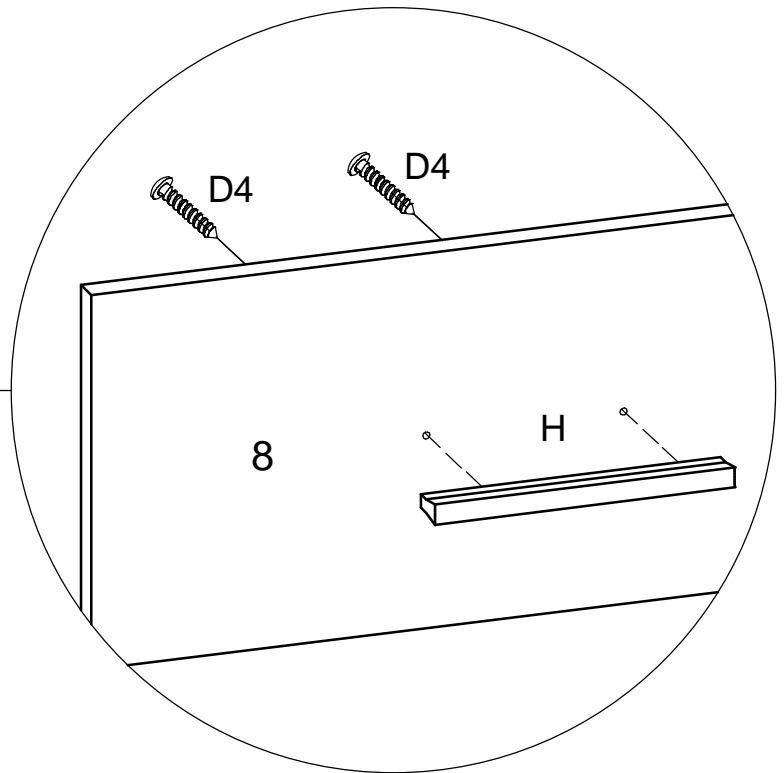
D4 x 8



H x 4



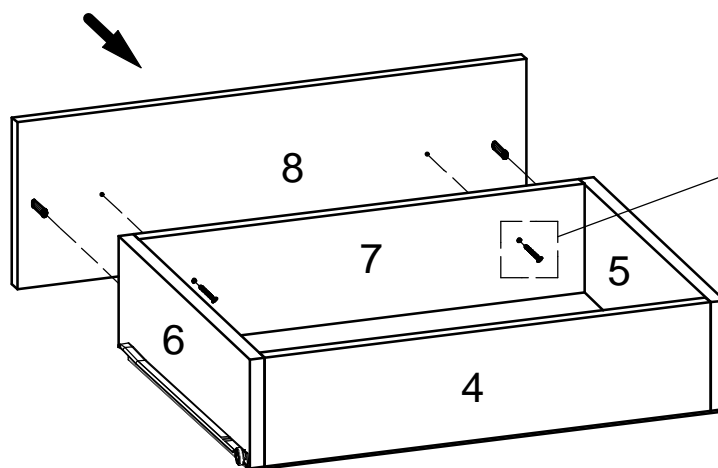
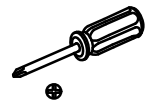
x 4



9



D3 x 8



x 4

10

